

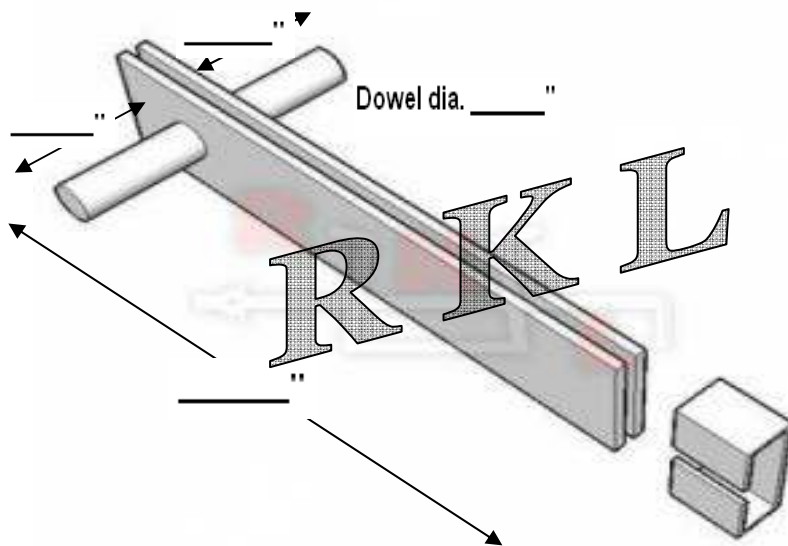
23-86 48th Street
 Astoria, NY 11103
 TEL: 718-728-7788
 FAX: 718-726-6836

www.rklbuilding.com

"A Certified Woman owned Company"

Two-Part Sleeve Anchor

#RKL-ST29



Dowel:
 Loose
 Welded

DIAMETER: <input type="checkbox"/> 3/16" <input type="checkbox"/> 1/2" <input type="checkbox"/> 1/4" <input type="checkbox"/> 5/8" <input type="checkbox"/> 5/16" <input type="checkbox"/> 3/4" <input type="checkbox"/> 3/8" <input type="checkbox"/> Other: _____	ASTM STANDARDS: Flat Steel Plain: ASTM A1008 Mill Galvanized: ASTM A366 Hot Dip Galvanized: ASTM A153B St. St. Type 304: ASTM A167 Rods Plain: ASTM A82 Mill Galvanized: ASTM A641 Hot Dip Galvanized: ASTM A153 B St. St. Type 304: ASTM A276
FINISH: <input type="checkbox"/> Mill Galvanized <input type="checkbox"/> Hot Dipped Galvanized <input type="checkbox"/> Stainless Steel Type 304 <input type="checkbox"/> Stainless Steel Type 316	Customer: _____ Contact: _____ Phone No: _____ Job Name: _____ Quantity: _____
<p>Please complete form and fax back to 718.726.6836. Attn: _____</p>	