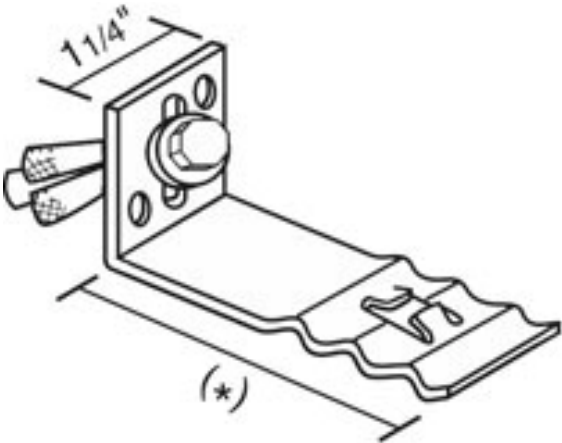


	<p>23-86 48th Street Astoria, NY 11103 TEL: 718-728-7788 FAX: 718-726-6836</p>
<p>www.rklbuilding.com</p>	<p>"A Certified Woman owned Company"</p>

#RKL-VA5431
Seismic Veneer Anchor w/ Bolt



Quantity: _____ pcs

Description: Designed to anchor veneers to concrete, block, and brick. Used with 2" brass expansion sleeve bolt.

Standard Size: 1-1/4" wide _____ other _____

Thickness: 12ga _____ 14ga _____

Standard Length: 3-1/2" _____ 5-1/2" _____ other _____

Standard Size of Bolt: 3/8" x 1-7/8"

Finish:
Stainless Type 304 _____ Stainless Type 316 _____ Hot Galv _____

Stainless Steel Type 304- ASTM A167

Hot Dip Galvanized- ASTM A153 B