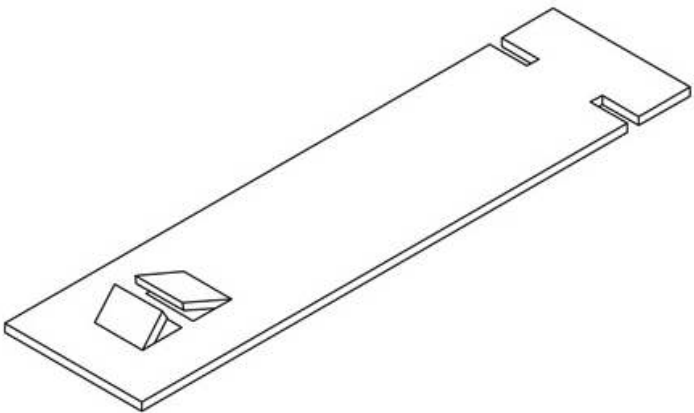


23-86 48th Street
Astoria, NY 11103
TEL: 718-728-7788
FAX: 718-726-6836

www.rklbuilding.com "A Certified Woman owned Company"

#RKL-SEISFL
Seismic Notch Flat Anchor



Seismic Anchors modified to comply with seismic codes. Raised notch in flat section allows for placement of 9ga Pencil Rod for Masonry Wall Reinforcement.

Thickness: 12 ga _____ 14ga _____ 16ga _____ other _____

Length: 3" _____ 4" _____ 5" _____ 6" _____ other _____

Finish:
Stainless Type 304 _____ Stainless Type 316 _____ Hot Galv _____ Mill Galv _____

Stainless Steel Type 304- ASTM A167

Hot Dip Galvanized- ASTM A153 B

Mill Galvanized- ASTM- A653