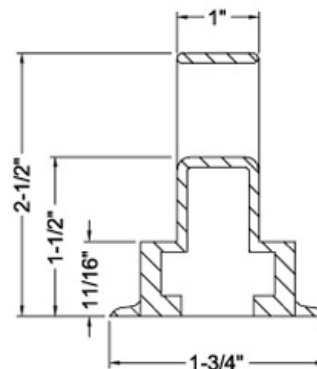
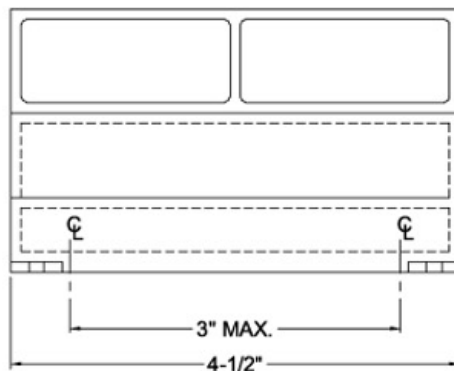
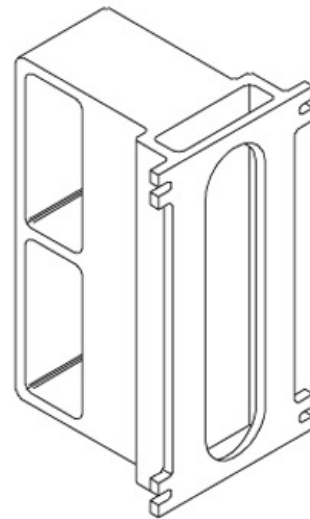
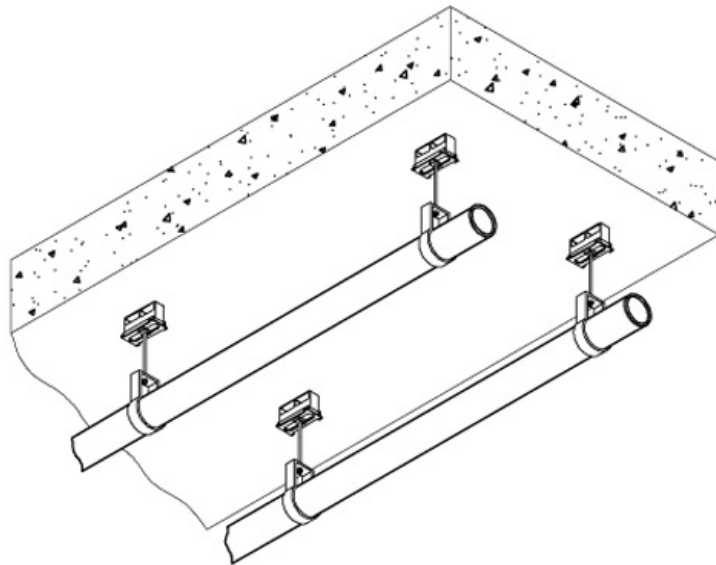


## Insert #380-D



DRAWINGS FOR ILLUSTRATIVE PURPOSES ONLY

**MATERIAL:** (Insert)

Hohmann & Barnard slotted inserts conform to ASTM A 47 Grade 32510

**MATERIAL:** (Insert Nut)

Hohmann & Barnard slotted insert nuts conform to Standard Specification ASTM A 36

**FINISHES:** (Insert)

- Plain Malleable Iron
- Hot Dip Galvanized: ASTM A 153 (zinc coating 1.5 oz/ft<sup>2</sup>)

**FINISHES:** (Insert Nut)

- Plain: ASTM A 36
- Zinc Plated ASTM B 633
- Stainless Steel Type 304 ASTM A 240, ASTM A 666
- Stainless Steel Type 316 ASTM A 240, ASTM A 666

**INSERT NUT SIZE:**

- 1/2"Ø -13
- 5/8"Ø -11
- 3/4"Ø -10

**PERFORMANCE DATA:** (4000 p.s.i. concrete)

Ultimate shear load (Insert horizontal) 13,400 lbs.  
 Ultimate tension load 7,112 lbs.

\* Values listed above are ultimate capacities in pounds which should be reduced by a minimum safety factor of three to determine the allowable working loads.