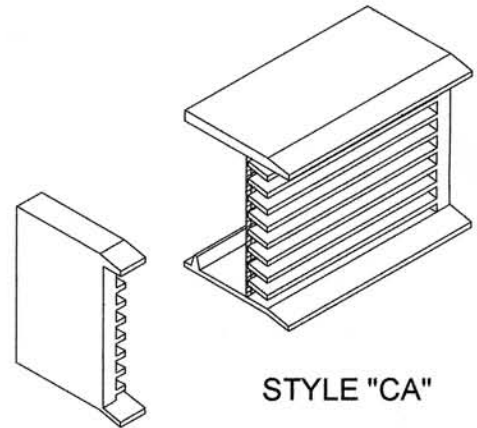


Cast Aluminum

Features

- Minimum .125" thick.
- Mill finish.
- Rear water stop.
- Load bearing.
- One piece molded unit.
- Overlapping blades.
- Continuous bottom weepage.

4" Deep	Nominal Sizes	
	W X H	
CA 825	8-1/8"	X 2-1/4"
CA 847	8-1/4"	X 4-15/16"
CA 808	8"	X 7-7/8"
CA 123	12"	X 2-3/4"
CA 124	12"	X 3-1/2"
CA 125	12"	X 5"
CA 128	12"	X 7-3/4"
CA 162	16-1/2"	X 2-3/8"
CA 1604	16"	X 4"
CA 164	16"	X 4-15/16"
CA 166	16"	X 6"
CA 168	16"	X 7-3/4"



NOTE: Cast aluminum vents are standard in mill finish and do not contain mortar ribs.

Also available in baked enamel at extra charge.

"Free Area Chart"

Vent Size	Free Area
16-1/2" W x 2-3/8" Tall	26%
16-1/2" W x 3-3/4" Tall	34.5%
16-1/2" W x 4-3/4" Tall	38%
16-1/2" W x 5-3/4" Tall	30%
16-1/2" W x 7-3/4" Tall	38%
16-1/2" W x 9-3/4" Tall	38%
16-1/2" W x 11-3/4" Tall	38%
16-1/2" W x 15-3/4" Tall	38%

NOTE: Less than 16" wide reduce free area by 1%

NOTE: Greater than 16" wide increase free area by 1%