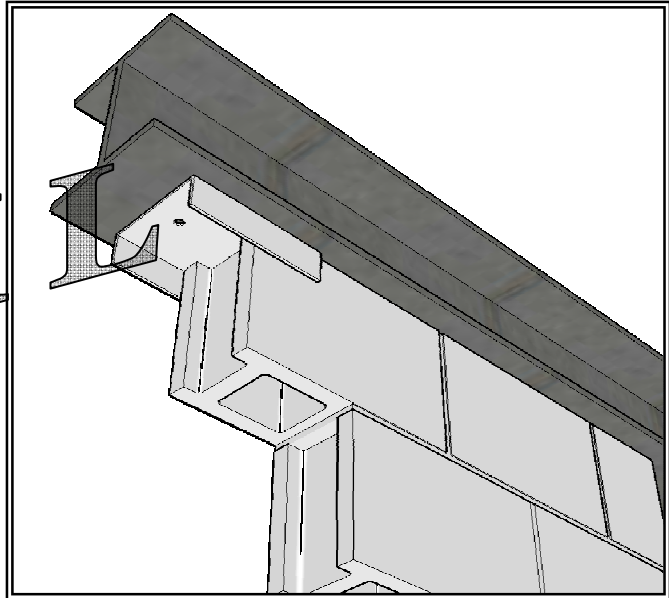
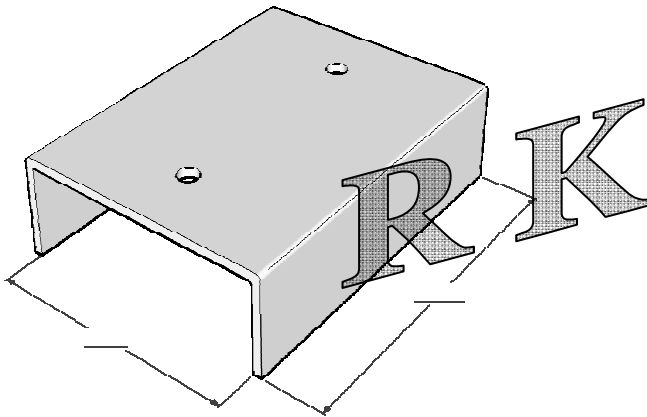


www.rklbuilding.com

"A Certified Woman owned Company"

23-86 48th Street  
 Astoria, NY 11103  
 TEL: 718-728-7788  
 FAX: 718-726-6836

**#RKL-PAR-04**  
**"U" Shaped Partition Top Anchor**



**DESCRIPTION**

Provide lateral shear resistance at the upper limit of masonry walls.

**MEASUREMENTS/FINISHES**

<b>Thickness:</b>	<b>Block Size:</b>	<b>Finish:</b>
<input type="checkbox"/> 12ga	<input type="checkbox"/> 4"	<input type="checkbox"/> Mill Galvanized
<input type="checkbox"/> 3/16"	<input type="checkbox"/> 6"	<input type="checkbox"/> HD Galvanized
<input type="checkbox"/> Other	<input type="checkbox"/> 8" (standard)	<input type="checkbox"/> Stainless Steel
	<input type="checkbox"/> 10"	
	<input type="checkbox"/> 12"	

**MATERIAL CONFORMANCE**

<b>Sheet Metal</b>	
Mill Galvanized	ASTM A653
Hot Dip Galvanized	ASTM A153B
Type 304 Stainless Steel	ASTM A167

\*Type 316 Stainless Steel is available upon request.

**CUSTOMER INFORMATION**

Customer: \_\_\_\_\_  
 Contact: \_\_\_\_\_  
 Phone No. \_\_\_\_\_  
 Project: \_\_\_\_\_  
 Quantity: \_\_\_\_\_