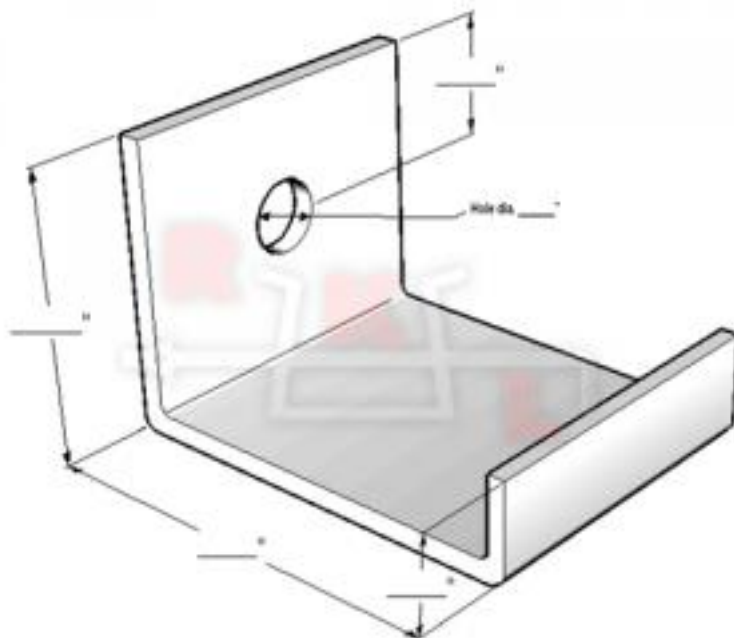




"J" ANCHOR

#RKL - ST-13



(Please fill in the measurements directly on available space on the picture)

| Thickness | Width |
|--------------------------------|---------------------------------|
| <input type="checkbox"/> 14ga | <input type="checkbox"/> 1" |
| <input type="checkbox"/> 1/8" | <input type="checkbox"/> 1-1/4" |
| <input type="checkbox"/> 3/16" | <input type="checkbox"/> 1-1/2" |
| <input type="checkbox"/> 1/4" | <input type="checkbox"/> 2" |
| <input type="checkbox"/> other | <input type="checkbox"/> 3" |
| | <input type="checkbox"/> other |

| Finish |
|---|
| <input type="checkbox"/> 0 Mill Galvanized/Plain |
| <input type="checkbox"/> 1 Hot Galvanized |
| <input type="checkbox"/> 2 Stainless steel type 304 |
| <input type="checkbox"/> 3 Stainless steel type 316 |

| ASTM Standards: | |
|--------------------------|-------------|
| Flat Steel: | |
| Plain | ASTM A1008 |
| Mill Galvanized | ASTM A366 |
| Hot Dip Galvanized | ASTM A153 B |
| Stainless Steel Type 304 | ASTM A167 |
| Rods: | |
| Plain | ASTM A82 |
| Mill Galvanized | ASTM A641 |
| Hot Dip Galvanized | ASTM A153 B |
| Stainless Steel Type 304 | ASTM A276 |

| Customer Information | |
|----------------------|----------------------|
| Customer | <input type="text"/> |
| Contact | <input type="text"/> |
| Phone no | <input type="text"/> |
| Job Name | <input type="text"/> |
| Quantity | <input type="text"/> |
| Email | <input type="text"/> |

| Leave notes |
|-------------|
| <hr/> |
| <hr/> |
| <hr/> |
| <hr/> |
| <hr/> |
| <hr/> |
| <hr/> |