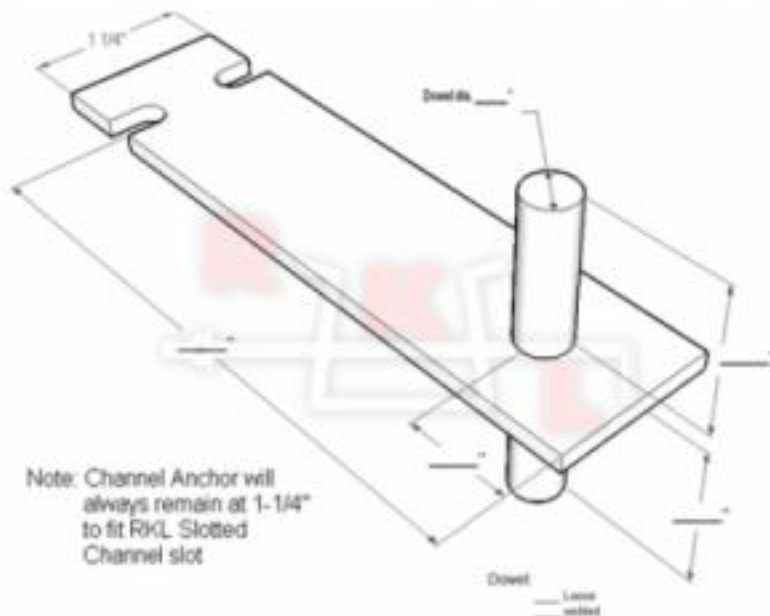




## CHANNEL ANCHOR W/ PIN

#RKL - ST-06



Note: Channel Anchor will always remain at 1-1/4" to fit RKL Slotted Channel slot

(Please fill in the measurements directly on available space on the picture)

Thickness	Width
<input type="checkbox"/> 14ga	<input type="checkbox"/> 1"
<input type="checkbox"/> 1/8"	<input type="checkbox"/> 1-1/4"
<input type="checkbox"/> 3/16"	<input type="checkbox"/> 1-1/2"
<input type="checkbox"/> 1/4"	<input type="checkbox"/> 2"
<input type="checkbox"/> other	<input type="checkbox"/> 3"
	<input type="checkbox"/> other

Finish
<input type="checkbox"/> 0 Mill Galvanized/Plain
<input type="checkbox"/> 1 Hot Galvanized
<input type="checkbox"/> 2 Stainless steel type 304
<input type="checkbox"/> 3 Stainless steel type 316

ASTM Standards:	
<b>Flat Steel:</b>	
Plain	ASTM A1008
Mill Galvanized	ASTM A366
Hot Dip Galvanized	ASTM A153 B
Stainless Steel Type 304	ASTM A167
<b>Rods:</b>	
Plain	ASTM A82
Mill Galvanized	ASTM A641
Hot Dip Galvanized	ASTM A153 B
Stainless Steel Type 304	ASTM A276

Customer Information	
Customer	<input type="text"/>
Contact	<input type="text"/>
Phone no	<input type="text"/>
Job Name	<input type="text"/>
Quantity	<input type="text"/>
Email	<input type="text"/>

Leave notes